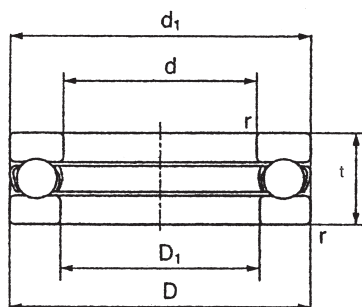


FBJ®

2900 Series

Thrust Ball Bearings

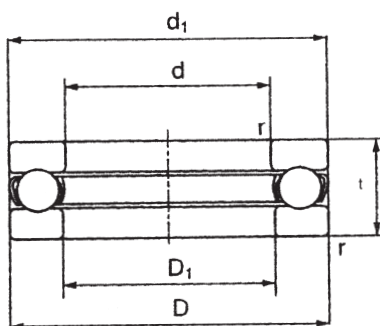


Ball / Roller Bearing

Bearing Number	Dimensions (mm)						Basic Load Ratings (N)		Limiting Speeds (rev/min)		Weight kg
	d	D	t	D ₁ (min)	d ₁ (max)	r (min)	C _r	C _{or}	Grease	Oil	
2900	10	26	12	10.2	26	0.6	12700	17100	5600	8400	0.035
2901	12	28	12	12.2	28	0.6	13200	19000	5400	8100	0.037
2902	15	31	12	15.2	31	0.6	14300	22800	5100	7700	0.041
2903	18	35	12	18.2	35	0.6	14400	24700	4800	7300	0.045
2904	20	37	12	20.2	37	0.6	14800	26600	4700	7100	0.055
2904-1/2	22	42	14	22.2	42	0.6	18900	34500	4100	6100	0.085
2905	25	45	14	25.2	45	0.6	19300	37000	3900	5900	0.093
2906	30	50	14	30.2	50	0.6	20200	42000	3700	5600	0.107
2907	35	55	16	35.2	55	0.6	29900	62000	3300	5000	0.137
2908	40	60	16	40.2	60	0.6	31000	70000	3200	4800	0.150
2909	45	68	16	45.2	68	0.6	32500	77500	3000	4500	0.199
2910	50	74	18	50.2	74	0.6	38500	94000	2700	4100	0.255
2911	55	78	18	55.2	78	0.6	40000	103000	2600	4000	0.270
2912	60	82	18	60.2	82	0.6	40500	108000	2600	3900	0.275
2913	65	90	20	65.2	90	0.6	47500	129000	2300	3500	0.374
2914	70	95	20	70.2	95	0.6	49000	140000	2200	3400	0.400
2915	75	100	20	75.2	100	0.6	51000	151000	2200	3300	0.425
2916	80	110	22	80.2	110	0.6	57000	171000	2000	3000	0.600
2917	85	115	22	85.2	115	0.6	59000	184000	1900	2900	0.640
2918	90	120	22	90.2	120	0.6	59500	190000	1900	2900	0.670
2919	95	130	25	95.2	130	0.6	75500	236000	1700	2600	0.795
2920	100	135	25	100.2	135	0.6	78000	253000	1700	2500	0.930
2921	105	140	25	105.2	140	0.6	78500	262000	1600	2500	1.02
2922	110	145	25	110.2	145	0.6	78000	262000	1600	2400	1.15
2923	115	150	25	115.2	150	0.6	73500	245000	1600	2400	1.25
2924	120	160	27	120.2	160	0.6	94000	314000	1500	2200	1.35
2925	125	160	27	125.3	165	0.6	85500	298000	1400	2200	1.48
2928	140	185	31	140.3	185	0.6	106000	375000	1300	1900	2.33

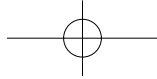
Thrust Ball Bearings

3900 Series



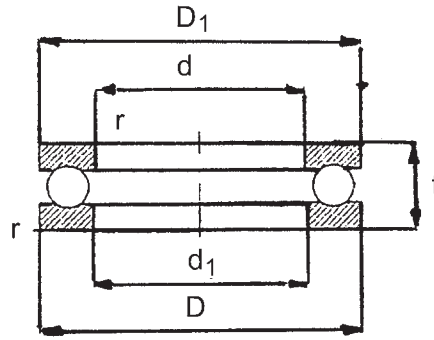
Ball / Roller Bearing

Bearing Number	Dimensions (mm)						Basic Load Ratings (N)		Limiting Speeds (rev/min)		Weight kg
	d	D	t	D ₁ (min)	d ₁ (max)	r (min)	C _r	C _{or}	Grease	Oil	
3905	25	52	16	25.2	52	1	27100	50500	3400	5200	0.147
3906	30	60	19	30.2	60	1	38000	72500	2900	4400	0.237
3907	35	68	22	35.2	68	1	50500	99000	2500	3800	0.346
3908	40	76	25	40.2	76	1	61000	119000	2200	3400	0.486
3909	45	85	28	45.2	85	1	79500	163000	2000	3000	0.684
3910	50	92	31	50.2	92	1	97000	202000	1800	2800	0.889
3911	55	100	33	55.2	100	1	110000	240000	1700	2600	1.114
3912	60	106	35	60.2	106	1.5	119000	263000	1600	2400	1.293
3913	65	112	36	65.2	112	1.5	128000	287000	1500	2300	1.443
3914	70	120	38	70.2	120	1.5	143000	335000	1400	2200	1.767
3915	75	128	41	75.2	128	1.5	159000	365000	1300	2000	2.132
3916	80	136	44	80.2	136	1.5	183000	425000	1200	1900	2.606
3917	85	145	47	85.2	145	1.5	207000	490000	1100	1700	3.157
3918	90	155	50	90.2	155	1.5	232000	555000	1100	1600	3.907
3919	95	165	54	95.2	165	1.5	253000	630000	1000	1500	4.810
3920	110	172	57	100.2	172	1.5	250000	630000	980	1400	5.454
3921	115	180	60	105.2	180	2.5	257000	670000	930	1400	6.354
3922	110	190	63	110.2	190	2.5	293000	785000	880	1300	7.333
3923	115	200	66	115.2	200	2.5	315000	870000	840	1200	8.526
3924	120	210	69	120.5	210	2.5	325000	930000	800	1200	10.195



FBJ®

51100 Series



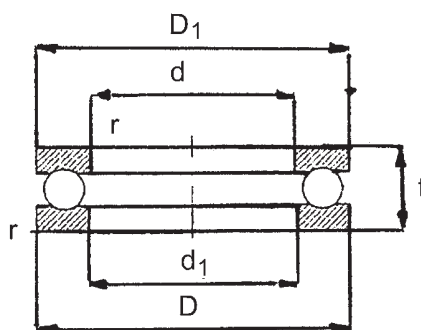
Thrust Ball Bearings

Ball / Roller Bearing

Bearing Number	Dimensions (mm)						Basic Load Ratings (N)		Limiting Speeds (rev/min)		Weight (kg)
	d	D	t	d ₁	D ₁	r	C _r	C _{or}	Grease	Oil	
51100	10	24	9	11	24	0.3	9950	14000	7000	9500	0.02
51101	12	26	9	13	26	0.3	10400	15300	6700	9000	0.022
51102	15	28	9	16	28	0.3	9360	14000	6300	8500	0.023
51103	17	30	9	18	30	0.3	9750	15300	6300	8500	0.025
51104	20	35	10	20	35	0.3	12700	20800	5600	7500	0.038
51105	25	42	11	26	42	0.6	15900	29000	4800	6300	0.056
51106	30	47	11	32	47	0.6	16800	33500	4500	6000	0.063
51107	35	52	12	37	52	0.6	17400	37500	4300	5600	0.08
51108	40	60	13	42	60	0.6	23400	50000	3800	5000	0.12
51109	45	65	14	47	65	0.6	24200	57000	3400	4500	0.14
51110	50	70	14	52	70	0.6	25500	63000	3200	4300	0.16
51111	55	78	16	57	78	0.6	30700	78000	2800	3800	0.23
51112	60	85	17	62	85	1.0	35800	90000	2600	3600	0.2
51113	65	90	18	67	90	1.0	37100	98000	2400	3400	0.33
51114	70	95	18	72	95	1.0	37700	104000	2400	3400	0.35
51115	75	100	19	77	100	1.0	44200	137000	2200	3200	0.4
51116	80	105	19	82	105	1.0	44900	140000	2000	3000	0.42
51117	85	110	19	87	110	1.0	46200	150000	2000	3000	0.44
51118	90	120	22	92	120	1.0	59200	190000	1800	2600	0.67
51120	100	135	25	102	135	1.0	85200	270000	1700	2400	0.97
51122	110	145	25	112	145	1.0	87100	290000	1600	2200	1.05
51124	120	155	25	122	155	1.0	88400	310000	1600	2200	1.15
51126	130	170	30	132	170	1.0	111000	390000	1400	1900	1.85
51128	140	180	31	142	178	1.0	111000	400000	1300	1800	2.05
51130	150	190	31	152	188	1.0	111000	400000	1200	1700	2.2

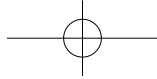
Thrust Ball Bearings

51200 Series



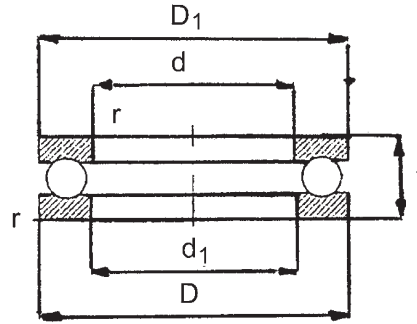
Ball / Roller Bearing

Bearing Number	Dimensions (mm)						Basic Load Ratings (N)		Limiting Speeds (rev/min)		Weight (kg)
	d	D	t	d ₁	D ₁	r	C _r	C _{or}	Grease	Oil	
51200	10	26	11	12	26	0.6	12700	17000	6000	8000	0.031
51201	12	28	11	14	28	0.6	12300	19000	6000	8000	0.034
51202	15	32	12	17	32	0.6	16500	25000	5300	7000	0.046
51203	17	35	12	19	35	0.6	17200	27500	5000	6700	0.053
51204	20	40	14	22	40	0.6	22500	37500	4500	6000	0.083
51205	25	47	15	27	47	0.6	27600	50000	4000	5300	0.110
51206	30	52	16	32	52	0.6	25500	47500	3600	4800	0.130
51207	35	62	18	37	62	1.0	35100	67000	3000	4000	0.220
51208	40	68	19	42	68	1.0	46800	98000	2800	3800	0.280
51209	45	73	20	47	73	1.0	3900	80000	2600	3600	0.300
51210	50	78	22	52	78	1.0	49400	106000	2400	3400	0.370
51211	55	90	25	57	90	1.0	61800	134000	1900	2800	0.590
51212	60	95	26	62	95	1.0	62400	140000	1900	2800	0.650
51213	65	100	27	67	100	1.0	63700	150000	1800	2600	0.780
51214	70	105	27	72	105	1.0	65000	160000	1800	2600	0.790
51215	75	110	27	77	110	1.0	67600	170000	1700	2400	0.830
51216	80	115	28	82	115	1.0	76100	190000	1700	2400	0.910
51217	85	125	31	88	125	1.0	97500	250000	1600	2200	1.200
51218	90	135	35	93	135	1.1	119000	300000	1500	2000	1.700
51220	100	150	38	103	150	1.1	124000	320000	1300	1800	2.200
51222	110	150	38	113	160	1.1	130000	360000	1200	1700	2.400
51224	120	170	39	123	170	1.1	140000	400000	1100	1600	2.650
51226	130	190	45	133	187	1.5	186000	540000	950	1400	4.000
51228	140	200	46	143	197	1.5	190000	570000	950	1400	4.350
51230	150	215	50	153	212	1.5	238000	730000	900	1300	6.100



FBJ®

51300 Series



Thrust Ball Bearings

Ball / Roller Bearing

Bearing Number	Dimensions (mm)						Basic Load Ratings (N)		Limiting Speeds (rev/min)		Weight (kg)
	d	D	t	d ₁	D ₁	r	C _r	C _{or}	Grease	Oil	
51305	25	52	18	27	52	1.0	34500	55000	3400	4500	0.17
51306	30	60	21	32	60	1.0	37700	65500	2800	3800	0.26
51307	35	68	24	37	68	1.0	49400	88000	2400	3400	0.38
51308	40	78	26	42	78	1.0	61800	112000	2000	3000	0.53
51309	45	85	28	47	85	1.0	76100	140000	1900	2800	0.66
51310	50	95	31	52	95	1.1	88400	173000	18000	2600	0.94
51311	55	105	35	57	105	1.1	104000	208000	1600	2200	1.30
51312	60	110	35	62	110	1.1	101000	208000	1600	2200	1.35
51313	65	115	36	67	115	1.1	106000	220000	1500	2000	1.50
51314	70	125	40	72	125	1.1	135000	300000	1400	1900	2.00
51315	75	135	44	77	135	1.5	163000	360000	1200	1700	2.60
51316	80	140	44	82	140	1.5	159000	360000	1200	1700	2.70
51317	85	150	49	88	150	1.5	190000	425000	1100	1600	3.55
51318	90	155	50	93	155	1.5	195000	465000	1000	1500	3.80
51320	100	170	55	103	170	1.5	229000	560000	950	1400	4.95
51322	110	190	63	113	187	2.0	276000	720000	850	1200	7.85
51324	120	210	70	123	205	2.1	325000	915000	800	1100	11.00

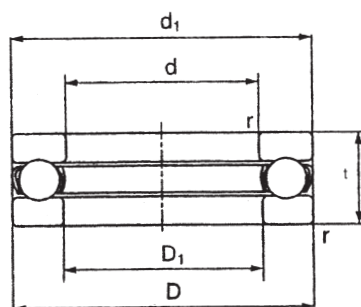
51400 Series

Thrust Ball Bearings

51405	25	60	24	27	60	1.0	55300	90000	2600	3600	0.34
51406	30	70	28	32	70	1.0	72800	125000	2000	3000	0.52
51407	35	80	32	37	80	1.0	87100	156000	1800	2600	0.76
51408	40	90	36	42	90	1.1	112000	204000	1700	2400	1.10
51409	45	100	39	47	100	1.1	130000	240000	1600	2200	1.40
51410	50	110	43	52	110	1.5	159000	310000	1500	2000	2.00
51411	55	120	48	57	120	1.5	178000	360000	1300	1800	2.55
51412	60	130	51	62	130	1.5	199000	400000	1100	1600	3.10
51413	65	140	56	68	140	2.0	215000	448000	1000	1500	4.67
51414	70	150	60	73	150	2.0	235000	499000	980	1400	5.72
51415	75	160	65	78	160	2.0	251000	560000	900	1300	6.75

Thrust Ball Bearings

Inch Series



Ball / Roller Bearing

Bearing Number	Dimensions (mm)						Basic Load Ratings (N)		Limiting Speeds (rev/min)		Weight kg
	d	D	t	D ₁ (min)	d ₁ (max)	r (min)	C _r	C _{or}	Grease	Oil	
0-3	9.525	25.400	13.494	9.925	24.606	0.8	11800	15200	5400	8100	0.036
0-4	12.700	32.544	15.875	13.097	31.750	0.8	18600	25100	4300	6500	0.077
0-5	15.875	35.719	15.875	16.272	34.925	0.8	19400	28300	4100	6200	0.086
0-6	19.050	38.894	15.875	19.447	38.100	0.8	21400	64500	4000	6000	0.095
0-7	22.225	42.069	15.875	22.622	41.275	0.8	21900	37500	3800	5800	0.100
0-8	25.400	45.244	15.875	25.797	44.450	1.6	22500	41000	3700	5500	0.110
0-9	28.575	48.419	15.875	28.972	47.625	1.6	24100	47000	3600	5400	0.128
0-10	31.750	53.181	18.256	32.147	52.388	1.6	27900	54500	3200	4800	0.164
0-11	34.925	56.356	18.256	35.322	55.562	1.6	28600	58000	3100	4600	0.186
0-12	38.100	59.531	18.256	38.497	58.738	1.6	30500	3000	4500	4500	0.200
0-13	41.275	62.706	18.256	41.672	61.912	1.6	26700	63000	2900	4400	0.210
0-14	44.450	68.262	19.050	44.847	67.469	1.6	321500	77500	2700	4100	0.260
0-15	47.625	71.438	19.050	48.021	70.644	1.6	37500	89000	2700	4000	0.285
0-16	50.800	75.406	19.050	51.594	74.613	2.4	38000	94000	2600	3900	0.300
0-17	53.975	81.756	22.225	54.769	10.962	2.4	49500	118000	2300	3500	0.405
0-18	57.150	84.931	22.225	57.944	84.138	2.4	50500	125000	2300	3400	0.405
0-19	60.325	91.281	25.400	61.119	90.488	2.4	58000	145000	2000	3100	0.590
0-20	63.500	94.456	25.400	64.294	93.662	2.4	59500	152000	2000	3000	0.610
0-21	66.675	97.631	25.400	67.469	96.838	2.4	60500	160000	1900	2900	0.660
0-22	69.850	102.394	25.400	70.644	101.600	2.4	71500	179000	70.644	101.600	0.700
0-23	73.025	105.569	25.400	73.819	104.775	2.4	75500	199000	1900	2800	0.730
0-24	76.200	111.125	28.575	77.788	109.38	3.2	77000	209000	1700	2600	0.900
0-26	82.550	122.238	31.750	84.138	120.50	3.2	97500	252000	1600	2400	1.30
0-28	88.900	128.588	31.750	90.488	127.00	3.2	99000	266000	1500	2300	1.32