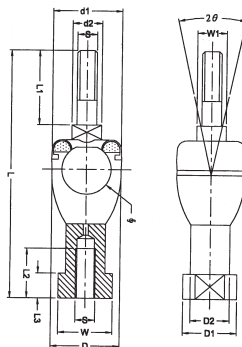


FBJ®

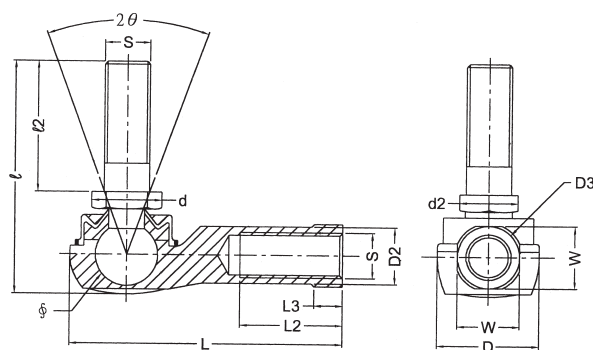
BI Series

Link Ball



Model Number	Outline dimensions		Thread	Main Dimensions (mm)											Static load (kn)	Weight (g)
	L	D		S	L ₁	L ₂	L ₃	D ₁	D ₂	W o -0.2	W o -0.2	d ₁	d ₂	Ball dia. φ		
BI-5	50	17	M5X0.8	12	15	4.5	11	9	9	7	18	8	11.11	25°	25	25
BI-6	60	20	M6X1	17	18	5	13	10	11	8	21	10.5	12.7	25°	36	40
BI-8	68	24	M8X1.25	26	20	6	16	12.5	14	11	26	14	15.88	25°	50	75
BI-10F	85	28	M10X1.25	29	22	7	19	15	17	13	29	16	19.05	25°	75	125
BI-10	85	28	M10X1.5	29	22	7	19	15	17	13	29	16	19.05	25°	75	125
BI-12F	94	32	M12X1.25	30	25	7	22	17.5	19	14	33	18	22.22	25°	100	190
BI-12	94	32	M12X1.75	30	25	7	22	17.5	19	14	33	18	22.22	25°	100	190
BI-14F	108	36	M14X1.5	32	28	8	25	20	22	17	38	19	25.4	17°	120	280
BI-14	108	36	M14X2	32	28	8	25	20	22	17	38	19	25.4	17°	120	280
BI-16F	120	40	M16X1.5	34	30	8	27	22	22	19	44	21	25.4	17°	140	370
BI-16	120	40	M16X2	34	30	8	27	22	22	19	44	21	25.4	17°	140	370

Rod End



Model Number	Outline dimensions			Thread											Static load (kn)	Weight (g)
	L	D			S	L ₂	L ₃	D ₂	D ₃	W o -0.2	d	d ₂	d ₂	Ball dia. φ		
BL-6	38	16	34	M6X1	16	5	10	13	11	8	16	7	11.11	40°	26	26
BL-8	46	19	41	M8X1.25	19	6	12.5	16	14	10.5	17	9	12.7	40°	50	49
BL-10F	56	25	52	M10X1.25	23	7	14.5	19	17	14	26	11	15.88	40°	75	90
BL-10	56	25	52	M10X1.5	23	7	14.5	19	17	14	26	11	15.88	40°	75	90
BL-12F	65	29	58	M12X1.25	26	8	17.5	22	19	16	29	13	19.05	40°	100	148
BL-12	65	29	58	M12X1.75	26	8	17.5	22	19	16	29	13	19.05	40°	100	148
BL-14F	74	34	75	M14X1.5	30	10	20	25	22	18	30	15	22.22	40°	120	245
BL-14	74	34	75	M14X2	30	10	20	25	22	18	30	15	22.22	40°	120	245
BL-16F	83	38	80	M16X1.5	34	11	22	27	24	19	32	17	22.22	30°	140	325
BL-16	83	38	80	M16X2	34	11	22	27	24	19	32	17	22.22	30°	140	325

Rod End